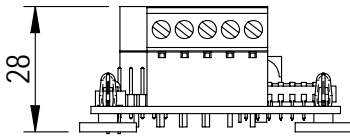


WALL READER ADAPTOR WRADAP

WALL READER ADAPTOR



The Wall Reader Adaptor is designed to read some data from the RW carriers and send this data to an external device, usually a Time and Attendance (T&A) terminal.

The Wall Reader Adaptor is connected by one side to any SALTO Wall Reader, WR2000, WR5000, WR8000 (the WR1000 is not included) and by the other side to the external device. There is only one model of OEM Adaptor because it is compatible with Wall Readers of different technologies.

EXTERNAL DEVICE CONNECTION

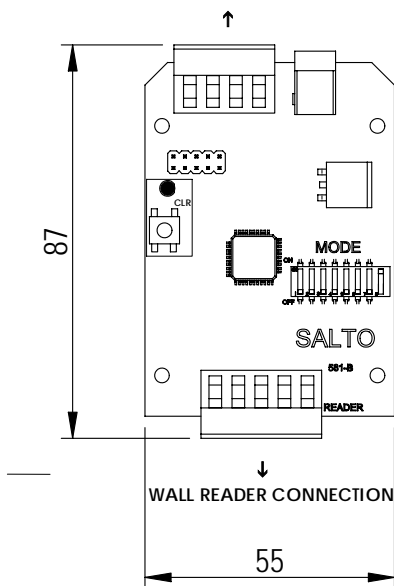
The interface with the external device can be RS232, OMRON and WIEGAND. The connection is made through a 4 pins block terminal.

The functions of the 4 pins connector are different depending on the selected type of interface:

Interface Connector	Rx/D0	Tx/D1	⏏	+V
RS232	RX	TX	GND	+V
OMRON	CLOCK	DATA	GND	+V
WIEGAND	D0	D1	GND	+V

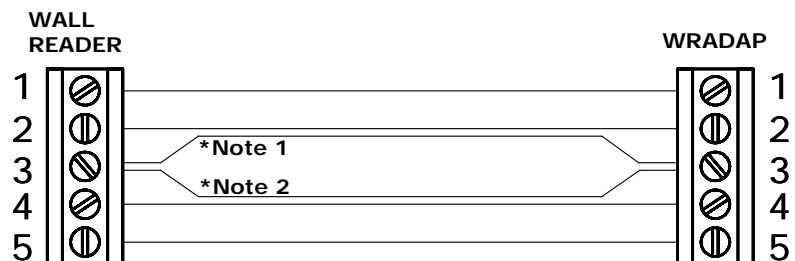
The Wall Reader Adaptor is continuously looking for a card and when one is presented it sends the data to the external device giving simultaneously a valid signal (green led and beep).

EXTERNAL DEVICE CONNECTION



WALL READER CONNECTION

The Wall Reader is connected through a 5 pins block connector equal to the CU5000.



Note 1: 2 & 3 wires have to belong to the same twisted pair.

Note 2: 4 & 3 wires have to belong to the same twisted pair.

Note 3: To reach 50 m between the reader and the WRADAP, the cable has to be UTP CAT 5 type and the technician has to make the connections shown above.

POWER SUPPLY

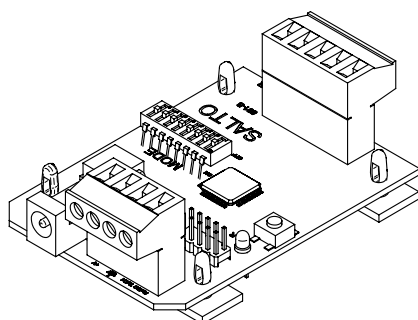
The Wall Reader Adaptor is powered with a voltage between 7 and 15 volt from the external device through inputs ⏏ and +V. Optionally can be powered through the jack connector.

The typical current consumption is 15 mA (maximum 30 mA) plus the current consumption of the reader that depends on the technology:

Reader	Technology	Reader		Total	
		Typical	Maximum	Typical	Maximum
WR2000	iButton	15	30	30	60
WR5000	Smart Card	20	80	35	110
WR8000	Legic	30	50	45	80

WRADAP

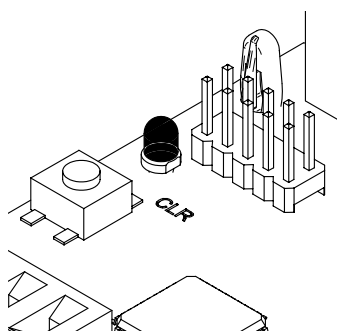
The device comes from factory prepared to read information on track 1 and gives the data through a Rs-232 interface at 19200 bauds, 8 data bits and no parity. See table 1.



WALL READER ADAPTOR WRADAP

CLR BUTTON

The CLR Button permits to make a quick diagnosis of the reader. When pressing the button the Led beside the button lights and the Reader gives an orange light as long as the CLR button remains pressed.



The CLR Led lights for a moment each time a card is read with the proper data according to the dipswitches setting. If the CLR Led flashes during some seconds it means that the setting of the dipswitches is a non-valid configuration.

PROXIMITY LEGIC and MIFARE launching process

Some PROXIMITY installations work with a particular PROXIMITY stamp and it is necessary to enter the SAM card in every PROXIMITY reader. The CLR button has to be kept pressed until the Encoder accepts the SAM card. If the CLR button is released before finishing the launching process it will be stopped.

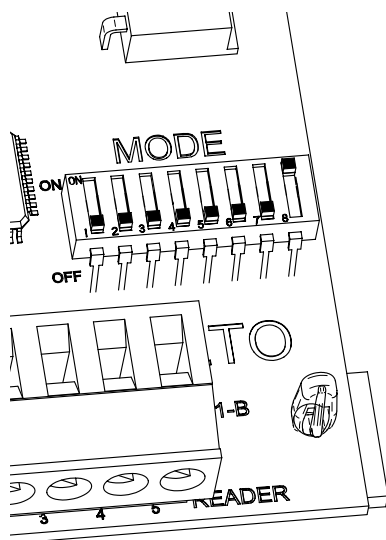
DATA AND INTERFACES

Please, see " Desktop Reader Manual " document for data and Interfaces details.

CONFIGURATION DIP SWITCHES

The configuration dip switches control the data to be read and the kind of interface with the external device:

TABLE 1 (V 02.04)



RS-232 INTERFACE		
2 LEFT FIRST SWITCHES MODE = OFF		
DIP SW. MODE	Data	Interface
00000001	Track 1	19200 bauds, 8 data bits-no parity.
00000010	Track 2	19200 bauds, 8 data bits-no parity.
00000011	Track 3	19200 bauds, 8 data bits-no parity.
00000100	% + ROM 14+?	19200 bauds, 8 data bits-no parity.
00000101	Track 1	9600 bauds, 8 data bits-no parity.
00000110	Track 2	9600 bauds, 8 data bits-no parity.
00000111	Track 3	9600 bauds, 8 data bits-no parity.
00001000	% + ROM 14+?	9600 bauds, 8 data bits-no parity.
00001001	Track 1	Plain, 19200 bauds, 8 data bits
00001010	Track 2	Plain, 19200 bauds, 8 data bits
00001011	Track 3	Plain, 19200 bauds, 8 data bits
00001100	ROM 14	Plain, 19200 bauds, 8 data bits
OMRON AND WIEGAND INTERFACES.		
2 LEFT FIRST SWITCHES MODE = ON.		
DIP SW. MODE	Data	Interface
11000000	Track 1	OMRON
11000001	Track 2	OMRON
11000010	Track 3	OMRON
11000011	% + ROM 14+?	OMRON
11000100	Track 1	WIEGAND
11000101	Track 2	WIEGAND
11000110	Track 3	WIEGAND
11000111	% + ROM 14+?	WIEGAND
11001000	ROM 56	WIEGAND
11001001	ROM 58	WIEGAND
11001010	WIEGAND CODE	WIEGAND
11001011	0x00+ SN (2 bytes)	WIEGAND 26
11001100	SN (3 bytes)	WIEGAND 26
11001101	SN (4 bytes)	WIEGAND 34
11001110	Track 2	OMRON